

GLASS DOOR MERCHANDISER FREEZERS

Swing Doors

EM – Series • EMGF23 • EMGF36 • EMGF48 • EMGF69



▲ EMGF23



▲ EMGF36



▲ EMGF48



▲ EMGF69

Cabinet Construction

Heavy duty white coated steel for cabinet interior and exterior. High quality stainless steel interior floor with round edges for convenient cleaning. 2.5" thick high density foamed-in-place polyurethane insulation. Four or six 4" diameter casters (front casters with brakes) with additional front weight support legs. Door heater installed around inside cabinet frame to prevent moisture build-up.

Refrigeration System

- Bottom mounted condensing unit
- Removable bottom grill and slide-out condensing unit for easy repair and maintenance
- Oversized condenser and evaporator coils quickly achieve and maintain desired temperature
- Removable condenser coil air filter for easy cleaning
- Forced-air cooling with oversized evaporator fan motors provide balanced airflow throughout cabinet to ensure faster temperature drop
- Environmentally friendly CFC free R-404A refrigerant
- Hot gas defrost cycle (time-initiated and temperature terminated)
- Copper tube and aluminum fin evaporator with anti-corrosive coating
- Pressure relief ports for rapid re-entry
- Interior airflow backward to ensure proper air circulation
- Energy efficient condensate drain pan utilizing hot gas pipe
- Pre-wired and ready to plug, 115V/60Hz/1Ph, NEMA 5-20P (EMGF23)
- Pre-wired power cord without plug, 230V/60Hz/1Ph (EMGF36 / EMGF48 / EMGF69)

Doors

- Matte finish aluminum door frames
- Low emissivity triple pane glass system reflects UV rays and improves insulation for maximized energy efficiency
- Defroster strips on glass door to ensure product visibility
- Heavy duty adjustable torsion spring self-closing door system
- One piece snap-in magnetic door gasket for easy replacement
- Heavy duty die-cast door handles
- Door locks

Lighting

- Shielded vertical LED interior lighting with on/off switch for energy efficiency, minimal heat generation and enhanced illumination

Shelving

- Four epoxy coated wire shelves per section
- Stainless steel pilasters and shelf clips

Temperature Control

- Factory preset temperature, -4°F
- Temperature setting range from -10°F to 54°F
- Easy to read digital temperature display
- Easy to program push-button temperature control
- Microchip digital control and monitoring system with a variety of functions to monitor and maintain optimum temperature



5 YEAR Compressor
3 YEAR Parts & Labor

Dimensions

ABS Legs



Additional front adjustable stainless steel clad ABS legs to provide extra stability when opening and closing doors.

✓: Vacuum Relief Mechanism

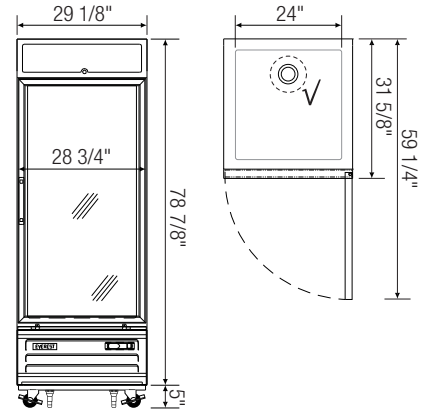
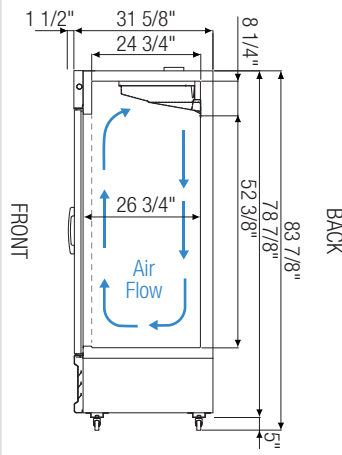


The vacuum relief valve equalizes cabinet pressure for rapid door re-entry.

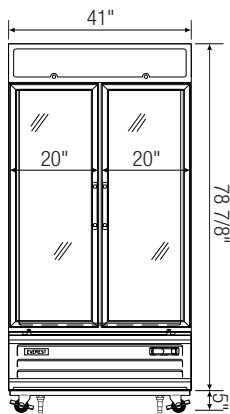
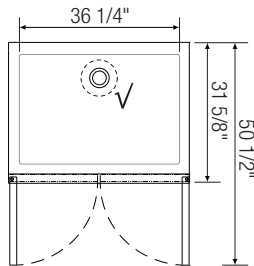


Equipped with 9 ft long NEMA 5-20P plug. (model EMGF23)

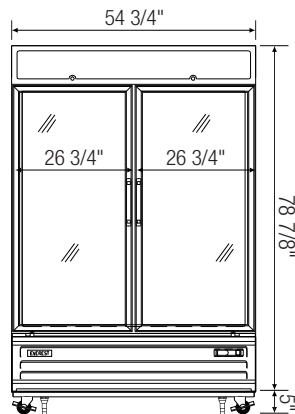
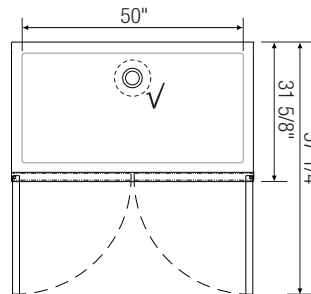
Side View



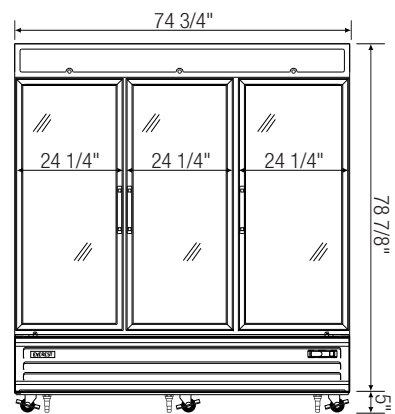
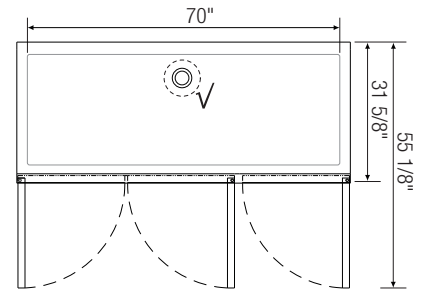
▲ EMGF23



▲ EMGF36



▲ EMGF48



▲ EMGF69

Model	Ref/ Frz/ Dual	# of Doors	Capacity (Cu.Ft.) [†]	HP	BTU/HR [†]	Refrigerant	# of Shelves	Power (V-Hz-Ph)	Amps	Crated Weight (LBS)	Exterior Dimensions (Inches)		
											L	D ^a	H [*]
EMGF23	Frz	1	23	1-	4,036	R-404A	4	115-60-1	11.06	400	29 1/8	31 5/8	78 7/8
EMGF36	Frz	2	36	1-1/4	5,441	R-404A	8	230-60-1	5.40	532	41	31 5/8	78 7/8
EMGF48	Frz	2	48	1-x 2	4,036 x 2	R-404A	8	230-60-1	8.24	701	54 3/4	31 5/8	78 7/8
EMGF69	Frz	3	69	1-1/4 x 2	5,441 x 2	R-404A	12	230-60-1	11.20	1045	74 3/4	31 5/8	78 7/8

* : Height does not include 5" for casters.

† : Based on evaporating temperature of -4°F (-20°C) & condensing temperature of 131°F (55°C).

a : Exterior depth dimension does not include 1 1/2" for door handles.

Frz = Freezer

Specifications subject to change without notice.

Product dimensions are for general purposes and not absolute value. Product capacity(†) is calculated based on standard industry figures. Slight variations may exist. If dimensions and capacity are critical, please contact Everest Refrigeration.

ver .031518



Please visit our website for updated Energy Efficiency information.