

# GLASS DOOR MERCHANDISER REFRIGERATORS

## Sliding Doors

**EM – Series** • EMGR33(B) • EMGR48(B) • EMGR69(B)



▲ EMGR33



▲ EMGR33B



▲ EMGR48



▲ EMGR48B



▲ EMGR69



▲ EMGR69B

### Cabinet Construction

Heavy duty white or black coated steel for cabinet interior and exterior. High quality stainless steel interior floor with round edges for convenient cleaning. White coated aluminum drain pan. 2.5" thick high density foamed-in-place polyurethane insulation. Adjustable screw legs for leveling. One additional heavy duty adjustable screw leg located at bottom of front cabinet for weight support for model EMGR69(B).

### Refrigeration System

- Bottom mounted condensing unit
- Removable bottom grill and slide-out condensing unit for easy repair and maintenance
- Oversized condenser and evaporator coils quickly achieve and maintain desired temperature
- Forced-air cooling with oversized evaporator fan motors provide balanced airflow throughout cabinet to ensure faster temperature drop
- Environmentally friendly CFC free R-134A refrigerant
- Air defrost controlled by thermostat
- Copper tube and aluminum fin evaporator with anti-corrosive coating
- Energy efficient condensate drain pan with wicking pads
- Pre-wired and ready to plug, 115V/60Hz/1Ph, NEMA 5-15P

### Lighting

- Shielded vertical LED interior lighting with on/off switch for energy efficiency, minimal heat generation and enhanced illumination

### Doors

- Black PVC door frames
- Low emissivity double pane glass system reflects UV rays and improves insulation for maximized energy efficiency
- Automatic self-close by weight
- Removable doors and stainless steel door tracks for easy cleaning
- Sliding door bumpers minimize impact upon closure and protects door handles from breakage

### Shelving

- Four epoxy coated wire shelves per section
- Stainless steel pilasters and shelf clips

### Temperature Control

- Factory preset temperature, 35°F
- Temperature setting range from 32°F to 42°F
- Easy to set thermostat dial

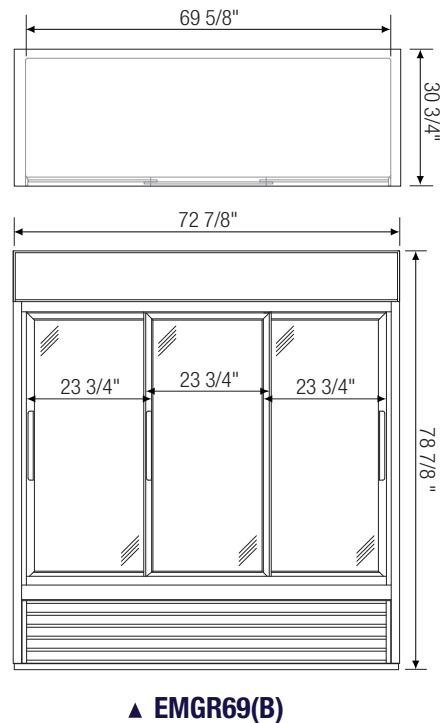
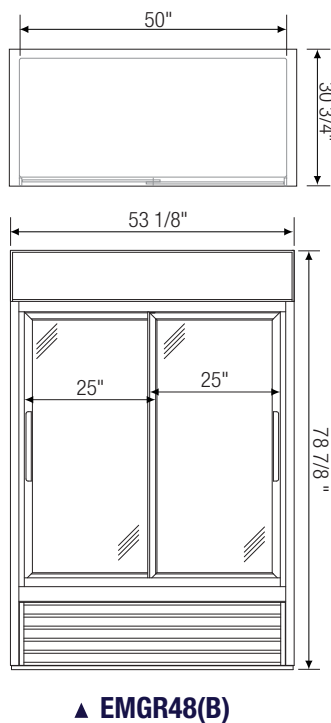
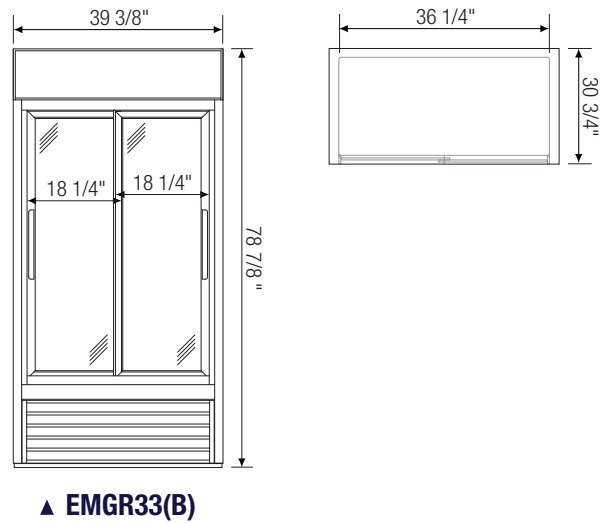
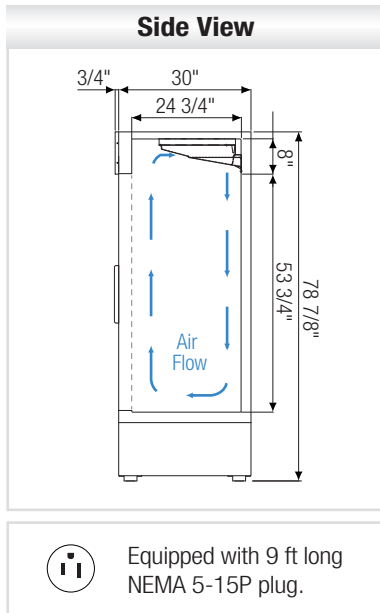
### Option

- 2 1/2" and 4" diameter casters (3 1/2" and 5" overall height)



**5 YEAR** Compressor  
**3 YEAR** Parts & Labor

## Dimensions



Model	Ref/ Frz/ Dual	# of Doors	Capacity (Cu.Ft.)	HP	Capacity 20 oz. Bottles	Refrigerant	# of Shelves	Power (V-Hz-Ph)	Amps	Crated Weight (LBS)	Exterior Dimensions (Inches)		
											L	D*	H
<b>EMGR33(B)</b>	Ref	2 (sliding)	33	1/3	336	R-134A	8	115-60-1	10.40	410	39 3/8	30 3/4	78 7/8
<b>EMGR48(B)</b>	Ref	2 (sliding)	48	1/2+	448	R-134A	8	115-60-1	10.40	520	53 1/8	30 3/4	78 7/8
<b>EMBR69(B)</b>	Ref	3 (sliding)	69	3/4+	672	R-134A	12	115-60-1	11.00	698	72 7/8	30 3/4	78 7/8

\* : Exterior depth dimension does not include 1 1/2" for door handles.

Ref = Refrigerator

Specifications subject to change without notice.

Product dimensions are for general purposes and not absolute value. Product capacity(▶) is calculated based on standard industry figures. Slight variations may exist. If dimensions and capacity are critical, please contact Everest Refrigeration.

ver .031518



Please visit our website for updated Energy Efficiency information.