

PIZZA PREP. TABLES

Side Mounted Condensing Unit

EPP – Series • EPPR1 • EPPSR2 • EPPR2 • EPPR3



▲ EPPR1



▲ EPPSR2



▲ EPPR2



▲ EPPR3

Cabinet Construction

Heavy duty stainless steel interior and exterior, with galvanized steel finished bottom and back wall of exterior. High quality 16 gauge stainless steel worktop, top lid and hood. 2.5" thick high density foamed-in-place polyurethane insulation. Four or six 4" diameter casters (front casters with brakes) with additional front weight support legs. Door heater installed around inside cabinet frame to prevent moisture build-up.

Refrigeration System

- Side mounted condensing unit for extra interior space compared to back mounted units
- Oversized condenser and evaporator coils quickly achieve and maintain desired temperature
- Forced-air cooling with multiple evaporator fan motors provide balanced airflow throughout cabinet to ensure faster temperature drop
- Removable side panel and slide-out condensing unit for convenient repair and maintenance
- Removable condenser coil air filter for easy cleaning
- Environmentally friendly CFC free R-134A refrigerant
- Air defrost, temperature initiated and terminated
- Copper tube and aluminum fin evaporator with anti-corrosive coating
- Energy efficient condensate drain pan assembly heated by high side copper tube
- Pressure relief ports for rapid re-entry
- Pre-wired and ready to plug, 115V/60Hz/1Ph, NEMA 5-15P

Doors

- High quality stainless steel interior and exterior
- 2.5" thick high density foamed-in-place polyurethane insulation
- Rounded corners for a comfortable and hazard-free work space
- Heavy duty adjustable torsion spring self-closing door system
- One piece snap-in magnetic door gaskets for easy replacement
- Heavy duty recessed door handles for a flat surface

Preparation Area

- 1/2" thick foam insulated detachable lids to prevent moisture build-up and heat exchange
- Removable and adjustable sanitary 19 1/4" deep cutting board
- Sanitary polycarbonate pans
(note: refer to the website for pan configurations)

Shelving

- Two epoxy coated wire shelves per section
- Stainless steel pilasters and shelf clips

Temperature Control

- Factory preset temperature, 35°F
- Setting temperature range from 33°F to 54°F
- Easy to read digital temperature display
- Easy to program push-button temperature control
- Microchip digital control and monitoring system with a variety of functions to monitor and maintain optimum temperature



Dimensions

ABS Legs

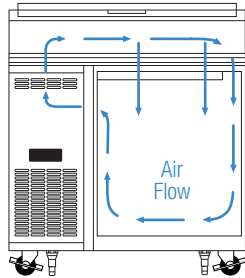


Two additional front adjustable stainless steel clad ABS legs to provide extra stability when opening and closing doors, and three additional leg for EPPR3 for weight support.



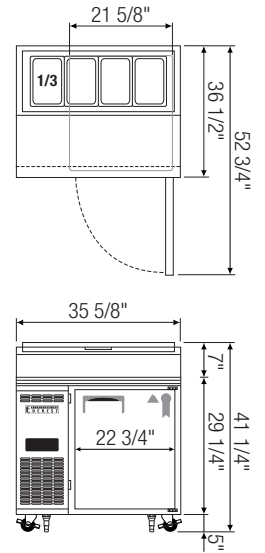
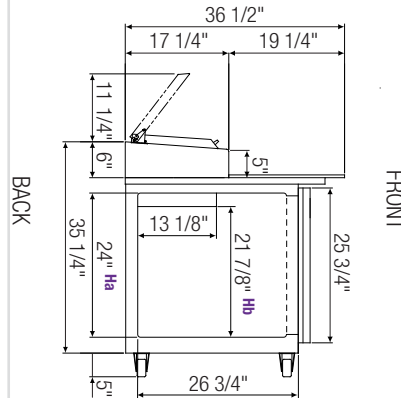
Equipped with 9 ft long NEMA 5-15P plug.

Air Flow

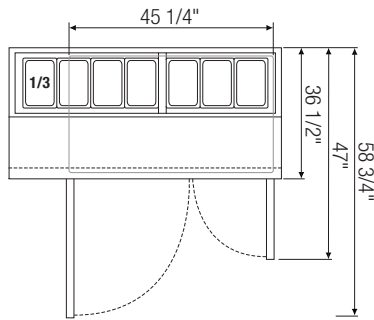


Front view of cabinet interior demonstrates air circulation from left to right.

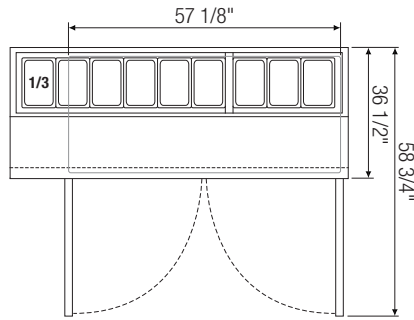
Side View



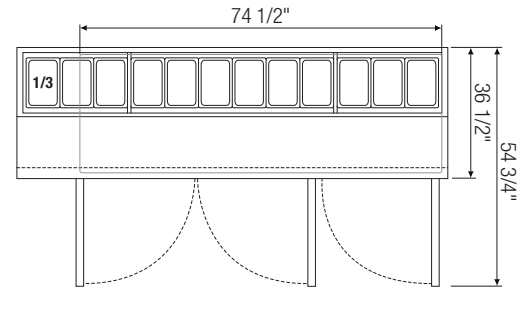
▲ EPPR1



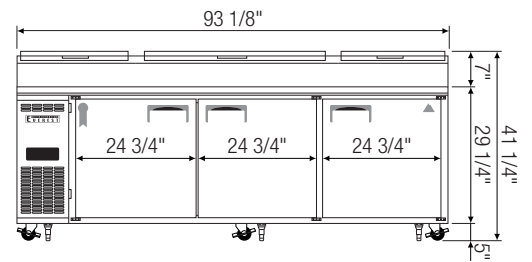
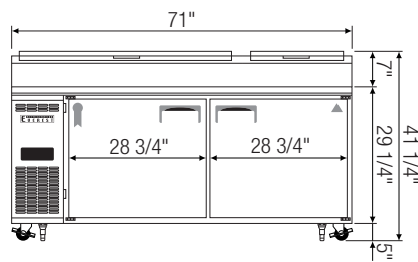
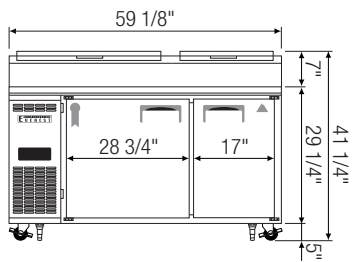
▲ EPPSR2



▲ EPPR2



▲ EPPR3



Model	Ref/ Frz/ Dual	# of Doors	Capacity (Cu.Ft.)	HP	Refrigerant	# of Shelves	# of Pans	Power (V-Hz-Ph)	Amps	Crated Weight (LBS)	Exterior Dimensions (Inches)		
											L	a D	* H
EPPR1	Ref	1	9	1/4+	R-134A	2	1/3 x 4	115-60-1	3.97	290	35 5/8	36 1/2	36 1/4
EPPSR2	Ref	2	16.81	1/3	R-134A	4	1/3 x 7	115-60-1	6.30	394	59 1/8	36 1/2	36 1/4
EPPR2	Ref	2	23	1/3	R-134A	4	1/3 x 9	115-60-1	6.30	445	71	36 1/2	36 1/4
EPPR3	Ref	3	30	1/3+	R-134A	6	1/3 x 12	115-60-1	6.33	619	93 1/8	36 1/2	36 1/4

*: Height does not include 5" for casters ; height includes top lid and handle.

Ref = Refrigerator

a : Depth includes 19 1/4" cutting board.

Ha, Hb : Interior Height

Specifications subject to change without notice.

Product dimensions are for general purposes and not absolute value. Product capacity(▶) is calculated based on standard industry figures. Slight variations may exist. If dimensions and capacity are critical, please contact Everest Refrigeration.



Please visit our website for updated Energy Efficiency information.