

# ICE STORAGE EQUIPMENT 30" SHUTTLE PLUS STORAGE

## Common Features

- Each shuttle system is shipped with a 48" ice paddle, 60" ice paddle is available
- Standard cart(s) are included
- Capacities and crated weights include the cart(s) and are variable, capacities shown include cart capacity
- All Shuttle systems are shipped fully assembled, sleeves may be shipped separately
- FOB origin on all freight unless pre-approved arrangements are made on a per order basis

One Cart Model					
Model	Capacity	Width	Depth	Height	Weight
SPS-1	500lbs	30"	36"	65"	320lbs

•SL denotes extended Sleeve—increases capacity by height ranging from 12" to 30"  
 •G denotes Giant—increases capacity by adding 12" to the depth of the unit



One Cart Model					
Model	Capacity	Width	Depth	Height	Weight
SPS-1-G	900lbs	30"	48"	82"	370lbs

•SL denotes extended Sleeve—increases capacity by height ranging from 12" to 30"  
 •G denotes Giant—increases capacity by adding 12" to the depth of the unit



# ICE STORAGE EQUIPMENT

## TECHNICAL PRODUCT DATA

### Part 2 – Shuttle Plus Storage Systems

#### 2.1 GENERAL

- A. Insulated ice storage system with insulated carts for distribution.
- B. The model number indicates the number of carts.
- C. Capacities shown include cart capacity.
- D. Each system includes a 48" ice paddle (60" paddle available).
- E. Basic shuttles are shipped fully assembled and shipping weights include carts.
- F. SL denotes extended sleeves to increase capacity.
- G. Sleeves are shipped separately.
- H. G (Giant) denotes a system that is extended 12" in depth for added capacity.
- I. Dimensions shown in inches and pounds.

#### 2.2 CLOSURES

- A. Equipped with a standard reinforced top that will accommodate ice maker. Please call for special application requirements.
- B. Stainless steel closures built to match ice manufacturing specification are included in price for all S/S lined bins. Please specify ice maker to be used at time of order.
- C. S/S tops are fully gasketed, reinforced and cut to ice maker of choice.

#### 2.3 LEG FRAMES AND ADJUSTABLE FEET

- A. All models equipped with adjustable bullet and/or flanged leveling feet.
- B. All 16 gauge stainless steel 1 ½" square tubing welded leg sets.

#### 2.4 MATERIALS

- A. Seamless molded polyethylene liners with 1 ½" Foamed-in-place polyurethane insulation on SPS-1, SPS-1G and SPS-2 models only.
- B. Sliding view windows are ¼" polycarbonate.

#### 2.5 PRISON PACKAGE OPTIONS

- A. Prison package/Anti-vandalism package (quotes available upon request).
- B. Both single and double door units are available with these options; either is available individually or as a package.
  - 1. 20 gauge stainless steel liner (either seamed or fully welded) (24 ga. Standard).
  - 2. All stainless steel lockable door(s).
  - 3. Stainless steel top closure.
  - 4. 3" stainless steel bolt down flanged legs.

***All ice storage bins and shuttle systems are available with a stainless steel liner, fully welded with coved corners. Please call for pricing!***



# ICE STORAGE EQUIPMENT

---

## TECHNICAL PRODUCT DATA

### 2.6 CARTS

- A. Standard carts are All Polyethylene bodies with polyurethane foam insulation.
  - 1. 10" rear casters
  - 2. 5" front swivel casters
  - 3. Hinged center to side drop lids
  - 4. Foot operated rear drain (aligns with catch pan in storage system)
  - 5. Handles on both ends
- B. Classic cart has Stainless Steel Exterior
  - 1. Seamless Polyethylene liner with polyurethane foam insulation.
  - 2. 5" front swivel casters
  - 3. 5" rear fixed casters with brake
  - 4. Rubber corner bumper guards

*All ice storage bins and shuttle systems are available  
with a stainless steel liner, fully welded with coved  
corners. Please call for pricing!*

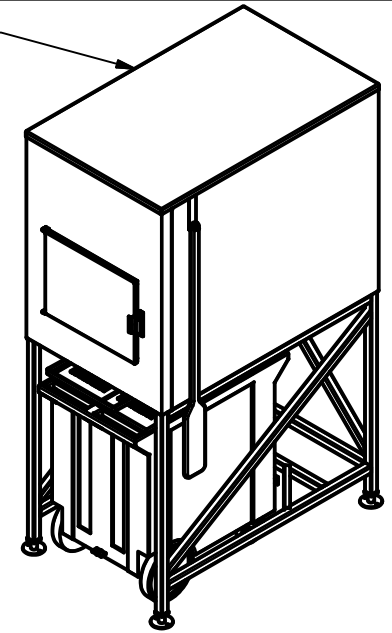
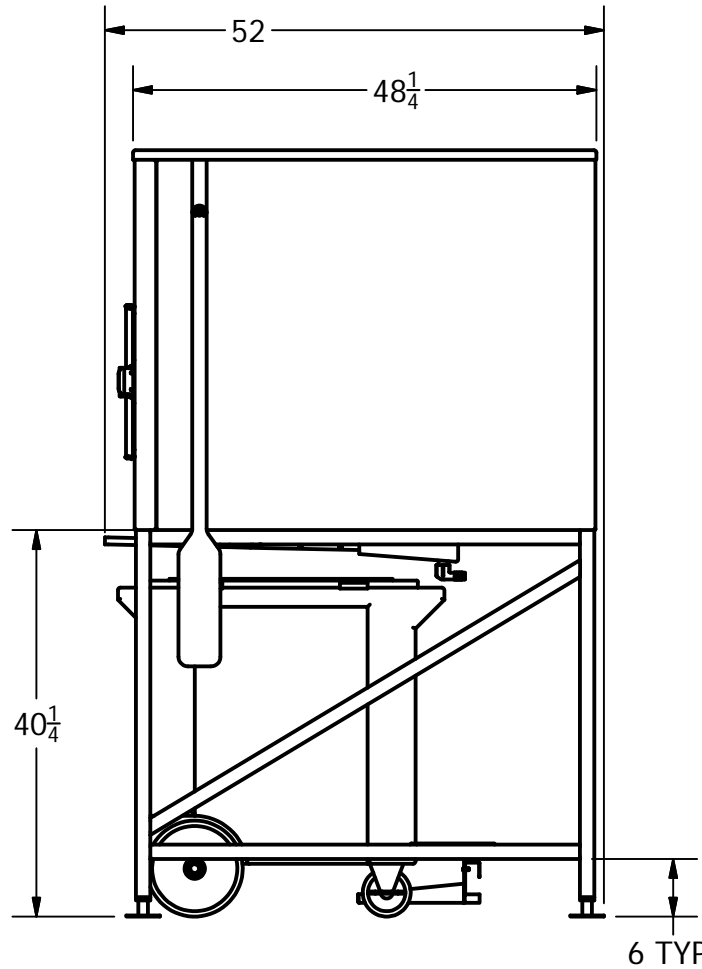
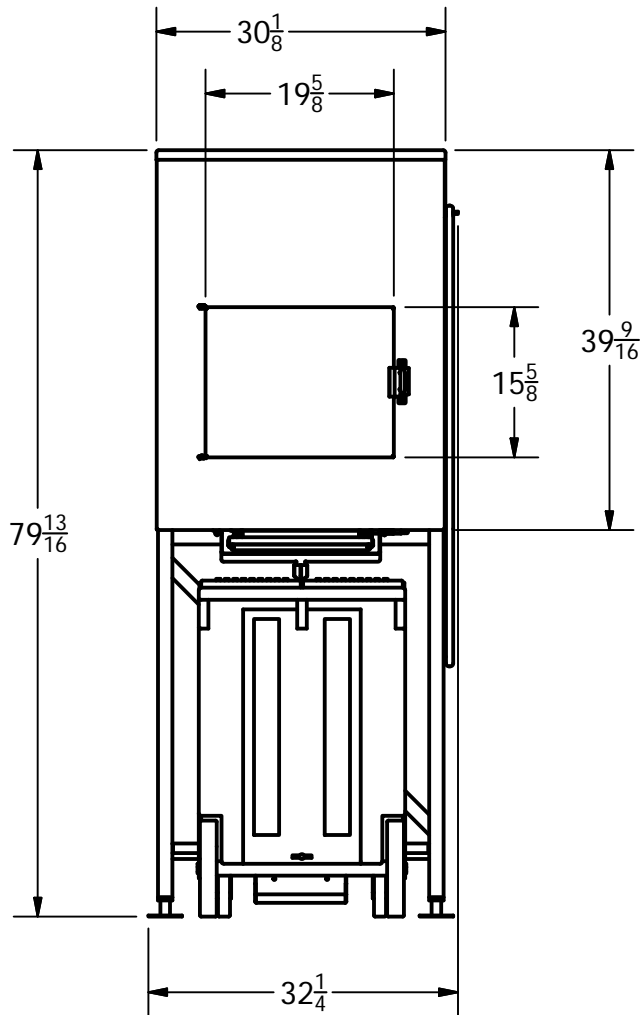
**ISE ADVANTAGE** by Kloppenberg



1-800-346-3246

[www.kloppenberg.com](http://www.kloppenberg.com)

-CLOSURES TO ACCOMODATE ALL ICE MACHINE MANUFACTURERS  
 -STAINLESS STEEL CLOSURE & FRAME



ICE HANDLING & STORAGE EQUIPMENT

THIS DOCUMENT AND ALL INFORMATION SHOWN HERON ARE THE EXCLUSIVE PROPERTY OF KLOPPENBERG & COMPANY. USE OR DUPLICATION OF THIS DOCUMENT WITHOUT PRIOR WRITTEN CONSENT IS PROHIBITED, AND SHALL BE RETURNED UPON REQUEST.

UNLESS OTHERWISE SPECIFIED TOLERANCE IS ± 1/16"		
NO.	REVISION	DATE

TITLE: SPS-1 Assembly
MATERIAL: DO NOT SCALE DRAWING

DATE: 7/7/2011
DRAWN BY: draft7
SCALE:
PART NO. SPS-1-GIANT
SHEET 1 OF 1