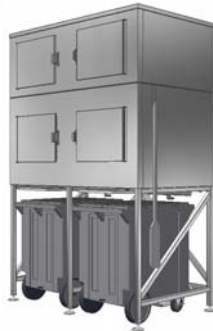


ICE STORAGE EQUIPMENT 60" SHUTTLE PLUS STORAGE

SPS-2-SL



Common Features

- Each shuttle system is shipped with a 48" ice paddle, 60" ice paddle is available
- Standard cart(s) are included
- Capacities and crated weights include the cart(s) and are variable, capacities shown include cart capacity
- All Shuttle systems are shipped fully assembled, sleeves may be shipped separately
- FOB origin on all freight unless pre-approved arrangements are made on a per order basis

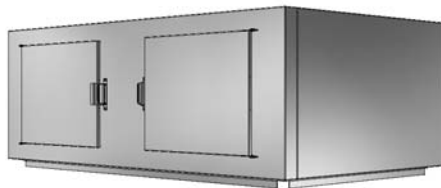
Two Cart Model					
Model	Capacity	Width	Depth	Height	Weight
SPS-2	1500lbs	60"	36"	71"	530lbs
SPS-2-SL	2500lbs	60"	36"	92"	690lbs
SPS-2 Sleeve Only	1000lbs	60"	36"	30"	180lbs

- SL denotes extended Sleeve—increases capacity by height ranging from 12" to 30"
- G denotes Giant—increases capacity by adding 12" to the depth of the unit

SPS-2



SPS-2 Sleeve



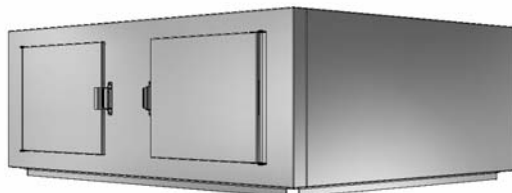
Two Cart Model					
Model	Capacity	Width	Depth	Height	Weight
SPS-2-G	1800lbs	60"	48"	71"	740lbs
SPS-2-G-SL	3000lbs	60"	48"	101"	960lbs
SPS-2G Sleeve Only	1200lbs	60"	48"	30"	280lbs

- All stainless steel
- SL denotes extended Sleeve—increases capacity by height ranging from 12" to 30"
- G denotes Giant—increases capacity by adding 12" to the depth of the unit

SPS-2-G



SPS-2G Sleeve



ICE STORAGE EQUIPMENT

TECHNICAL PRODUCT DATA

Part 2 – Shuttle Plus Storage Systems

2.1 GENERAL

- A. Insulated ice storage system with insulated carts for distribution.
- B. The model number indicates the number of carts.
- C. Capacities shown include cart capacity.
- D. Each system includes a 48" ice paddle (60" paddle available).
- E. Basic shuttles are shipped fully assembled and shipping weights include carts.
- F. SL denotes extended sleeves to increase capacity.
- G. Sleeves are shipped separately.
- H. G (Giant) denotes a system that is extended 12" in depth for added capacity.
- I. Dimensions shown in inches and pounds.

2.2 CLOSURES

- A. Equipped with a standard reinforced top that will accommodate ice maker. Please call for special application requirements.
- B. Stainless steel closures built to match ice manufacturing specification are included in price for all S/S lined bins. Please specify ice maker to be used at time of order.
- C. S/S tops are fully gasketed, reinforced and cut to ice maker of choice.

2.3 LEG FRAMES AND ADJUSTABLE FEET

- A. All models equipped with adjustable bullet and/or flanged leveling feet.
- B. All 16 gauge stainless steel 1 ½" square tubing welded leg sets.

2.4 MATERIALS

- A. Seamless molded polyethylene liners with 1 ½" Foamed-in-place polyurethane insulation on SPS-1, SPS-1G and SPS-2 models only.
- B. Sliding view windows are ¼" polycarbonate.

2.5 PRISON PACKAGE OPTIONS

- A. Prison package/Anti-vandalism package (quotes available upon request).
- B. Both single and double door units are available with these options; either is available individually or as a package.
 - 1. 20 gauge stainless steel liner (either seamed or fully welded) (24 ga. Standard).
 - 2. All stainless steel lockable door(s).
 - 3. Stainless steel top closure.
 - 4. 3" stainless steel bolt down flanged legs.

All ice storage bins and shuttle systems are available with a stainless steel liner, fully welded with coved corners. Please call for pricing!



ICE STORAGE EQUIPMENT

TECHNICAL PRODUCT DATA

2.6 CARTS

- A. Standard carts are All Polyethylene bodies with polyurethane foam insulation.
 - 1. 10" rear casters
 - 2. 5" front swivel casters
 - 3. Hinged center to side drop lids
 - 4. Foot operated rear drain (aligns with catch pan in storage system)
 - 5. Handles on both ends
- B. Classic cart has Stainless Steel Exterior
 - 1. Seamless Polyethylene liner with polyurethane foam insulation.
 - 2. 5" front swivel casters
 - 3. 5" rear fixed casters with brake
 - 4. Rubber corner bumper guards

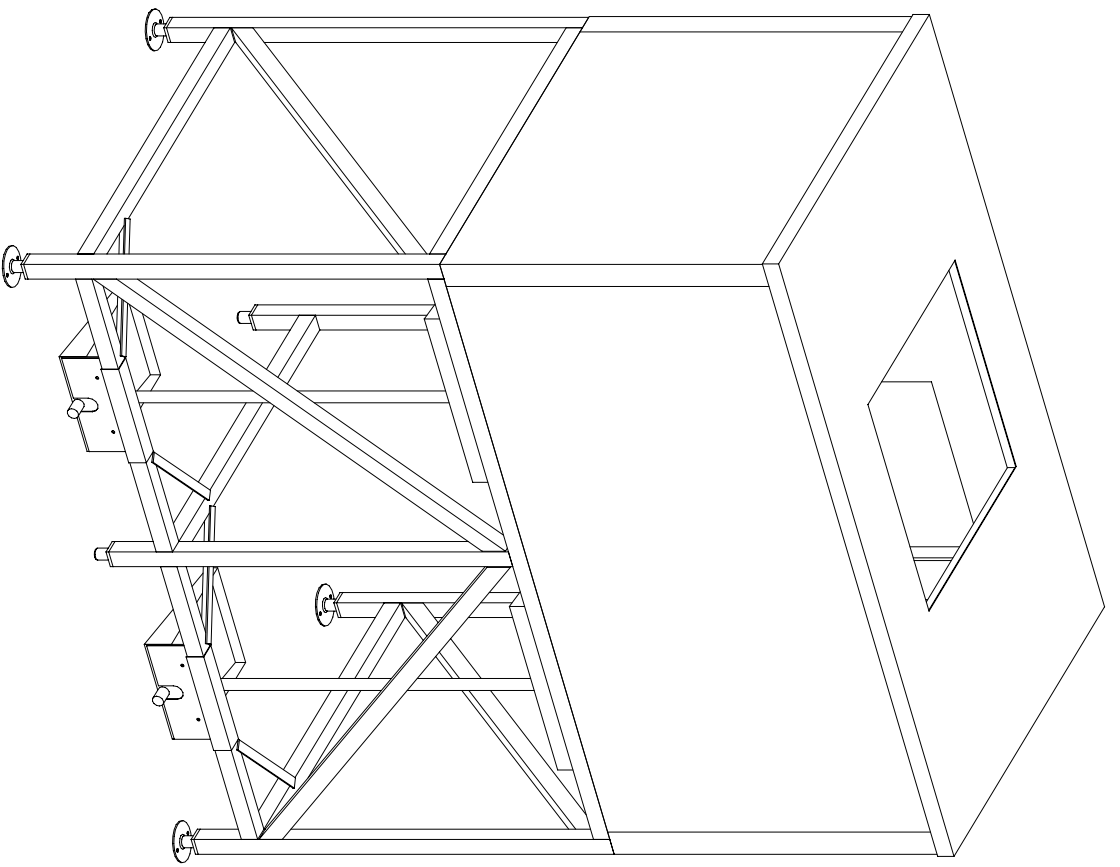
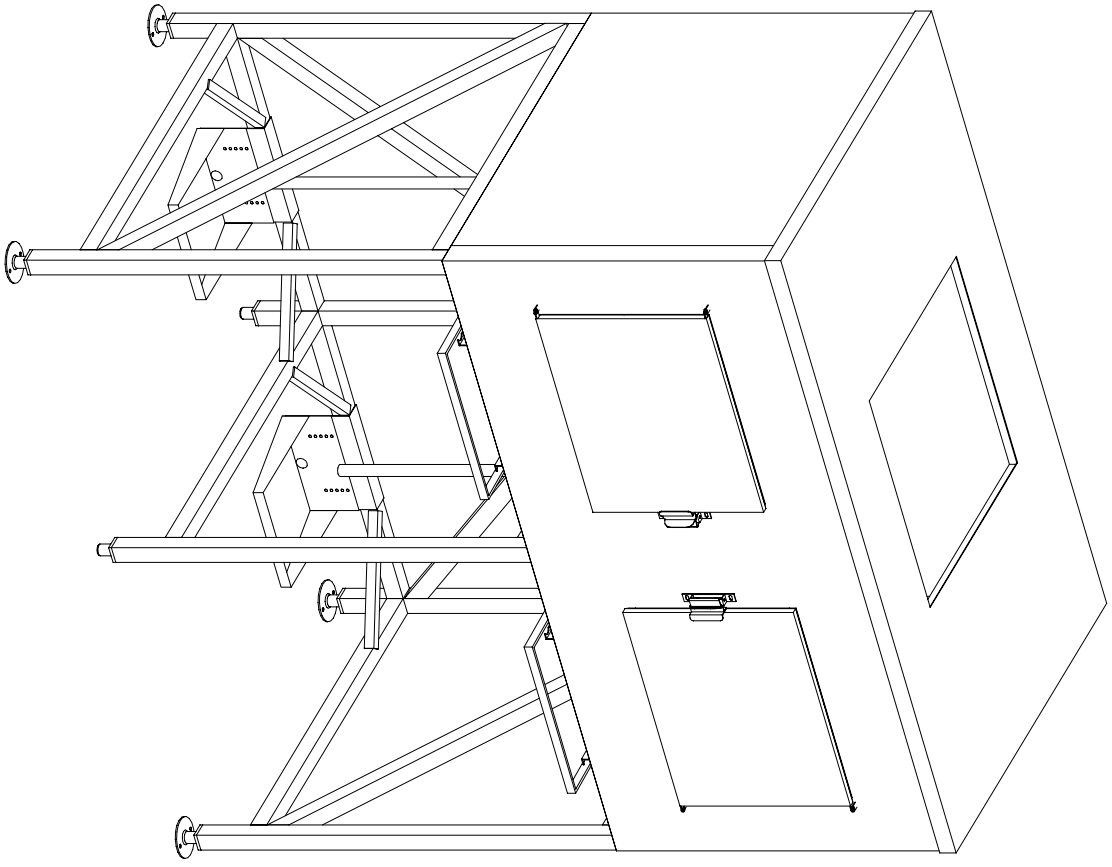
*All ice storage bins and shuttle systems are available
with a stainless steel liner, fully welded with coved
corners. Please call for pricing!*


ISE ADVANTAGE by Kloppenberg



1-800-346-3246

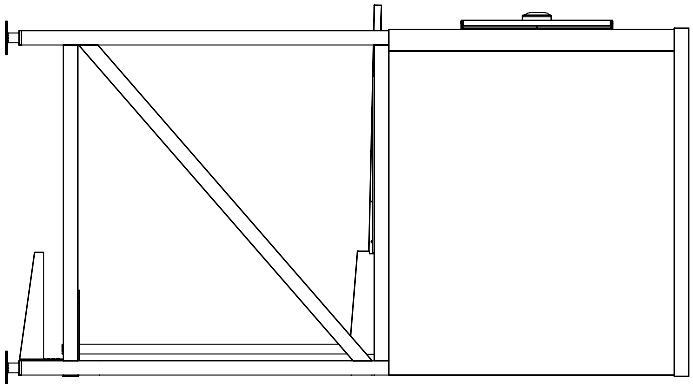
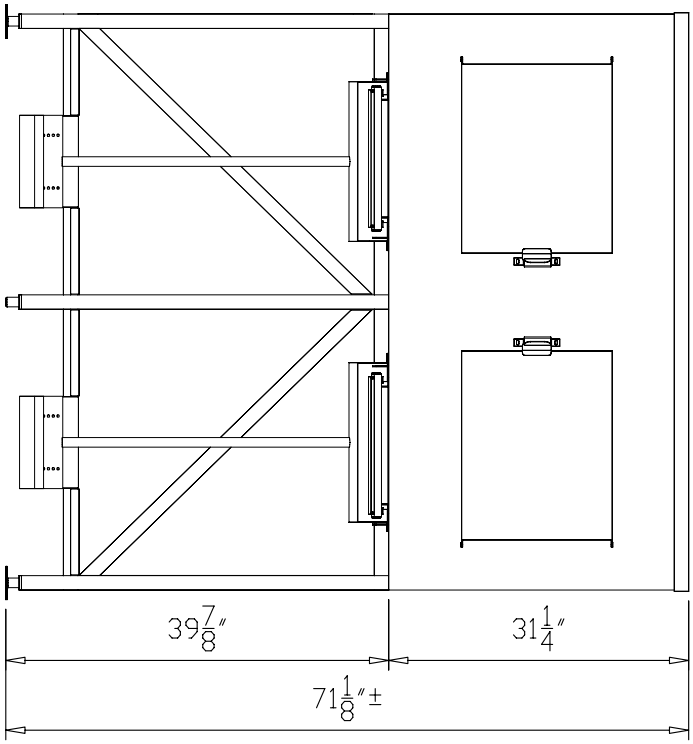
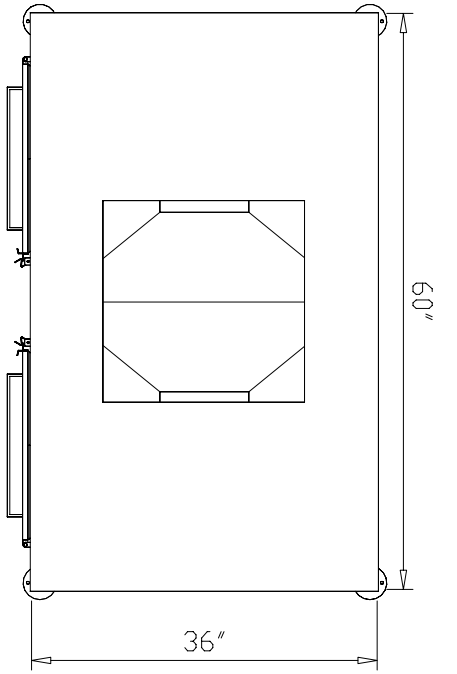
www.kloppenberg.com





KLOPPENBERG
Quality is the Best Buy
ICE HANDLING & STORAGE EQUIPMENT

SPS-2
WITH S/S DRAIN PAN
SHUTTLE
PLUS
STORAGE

DATE: 11-19-05
DRAWN BY: M.L.S.
SCALE: AS NOTED
DWG. NO. _____
SHEET 1 OF 2




KLOPPENBERG
Quality is the Best Buy
ICE HANDLING & STORAGE EQUIPMENT™

SPS-2
 WITH S/S DRAIN PAN
 SHUTTLE
 PLUS
 STORAGE

DATE: 11-19-05
DRAWN BY: M.L.S.
SCALE: AS NOTED
DWG NO. _____
SHEET 2 OF 2