

# SIDE MOUNT SANDWICH PREP. TABLES

## Side Mounted Condensing Unit

EP – Series • EPR1 • EPR2 • EPWR2 • EPR3



▲ EPR1



▲ EPR2



▲ EPWR2



▲ EPR3

### Cabinet Construction

Heavy duty stainless steel interior and exterior, galvanized steel finished bottom and back wall of exterior. High quality 16 gauge stainless steel worktop, top lid and hood. 2.5" thick high density foamed-in-place polyurethane insulation. Four 4" diameter casters (front casters with brakes). Door heater installed around inside cabinet frame to prevent moisture build-up.

### Refrigeration System

- Side mounted condensing unit for extra interior space compared to back mounted units
- Oversized condenser and evaporator coils quickly achieve and maintain desired temperature
- Forced-air cooling with multiple evaporator fan motors provide balanced airflow throughout cabinet to ensure faster temperature drop
- Removable side panel and slide-out condensing unit for convenient repair and maintenance
- Removable condenser coil air filter for easy cleaning
- Environmentally friendly CFC free R-134A refrigerant
- Air defrost, temperature initiated and terminated
- Copper tube and aluminum fin evaporator with anti-corrosive coating
- Energy efficient condensate drain pan assembly heated by high side copper tube
- Pressure relief ports for rapid re-entry
- Pre-wired and ready to plug, 115V/60Hz/1Ph, NEMA 5-15P

### Lighting

- Shielded incandescent interior lighting

### Doors

- Heavy duty stainless steel interior and exterior
- 2.5" thick high density foamed-in-place polyurethane insulation
- Rounded corners for a comfortable and hazard-free work space
- Heavy duty adjustable torsion spring self-closing door system
- One piece snap-in magnetic door gaskets for easy replacement
- Heavy duty recessed door handles for a flat surface

### Preparation Area

- 1/2" thick foam insulated lids to prevent moisture build-up and heat exchange
- Removable and adjustable sanitary 12 1/4" deep cutting board
- Sanitary polycarbonate pans  
*(note: refer to the website for pan configurations)*

### Shelving

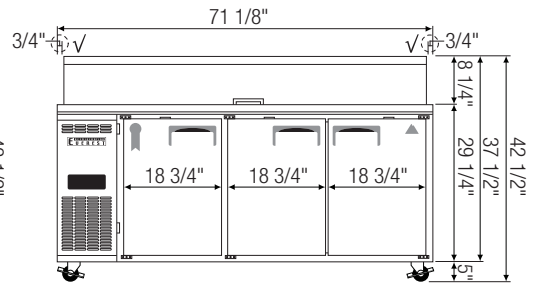
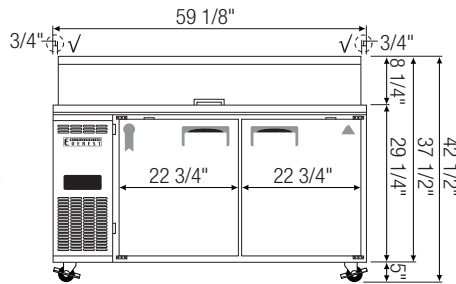
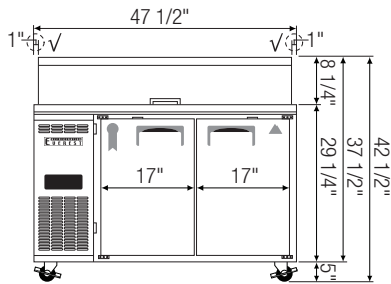
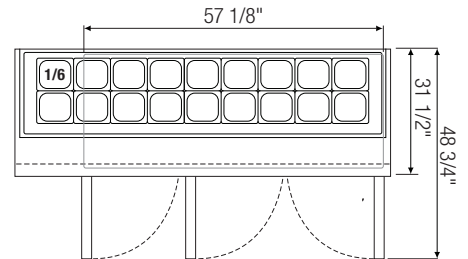
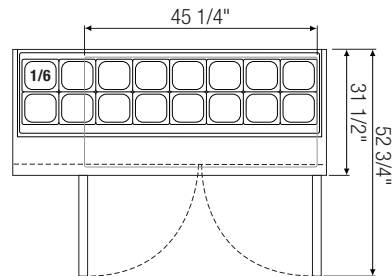
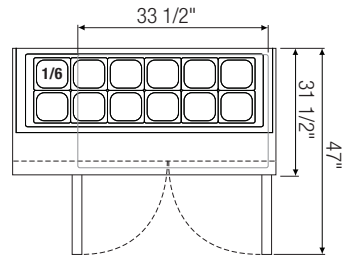
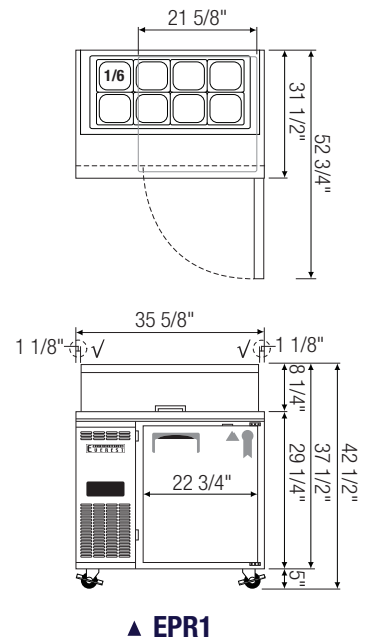
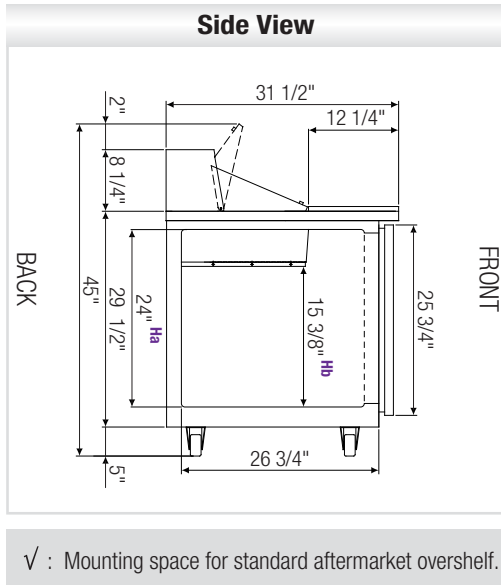
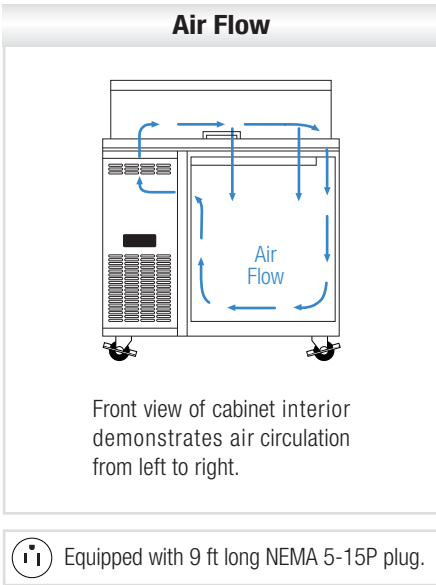
- Two epoxy coated wire shelves per section
- Stainless steel pilasters and shelf clips

### Temperature Control

- Factory preset temperature, 35°F
- Temperature setting range from 33°F to 54°F
- Microchip digital control and monitoring system with a variety of functions to monitor and maintain optimum temperature



## Dimensions



Model	Ref/ Frz/ Dual	# of Doors	Capacity (Cu.Ft.)	HP	Refrigerant	# of Shelves	# of Pans	Power (V-Hz-Ph)	Amps	Crated Weight (LBS)	Exterior Dimensions (Inches)		
											L	D	H*
EPR1	Ref	1	9	1/4+	R-134A	2	1/6 x 8	115-60-1	3.52	267	35 5/8	31 1/2	37 1/2
EPR2	Ref	2	13	1/4+	R-134A	4	1/6 x 12	115-60-1	4.37	340	47 1/2	31 1/2	37 1/2
EPWR2	Ref	2	16.81	1/4+	R-134A	4	1/6 x 16 <sup>a</sup>	115-60-1	4.37	363	59 1/8	31 1/2	37 1/2
EPR3	Ref	3	23	1/3	R-134A	6	1/6 x 18 <sup>a</sup>	115-60-1	5.24	434	71 1/8	31 1/2	37 1/2

\* : Height does not include 5" for casters.

Ref = Refrigerator

a : Pan count applicable for units manufactured from April 2016.

Ha, Hb : Interior Height

Specifications subject to change without notice.

Product dimensions are for general purposes and not absolute value. Product capacity(▶) is calculated based on standard industry figures. Slight variations may exist. If dimensions and capacity are critical, please contact Everest Refrigeration.

ver .031518



Please visit our website for updated Energy Efficiency information.